

PHYSICS

0625 Paper 1

2017 — 2023

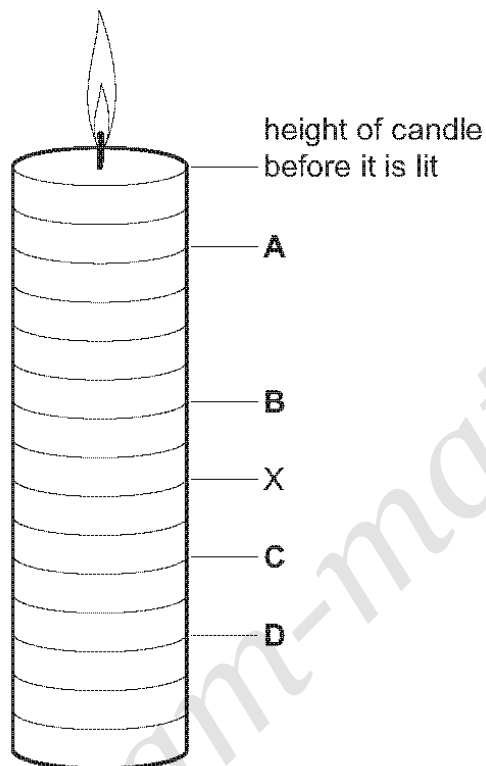
Chapter 1	MEASUREMENT & UNITS	Page 1
Chapter 2	FORCES & MOTION	Page 33
Chapter 3	FORCES & PRESSURE	Page 105
Chapter 4	FORCES & ENERGY	Page 153
Chapter 5	THERMAL EFFECTS	Page 186
Chapter 6	WAVES & SOUNDS	Page 265
Chapter 7	RAYS & WAVES	Page 295
Chapter 8	ELECTRICITY	Page 349
Chapter 9	MAGNETS & CURRENTS	Page 429
Chapter 10	ELECTRICITY & ELECTRONICS	Page 497
Chapter 11	RADIOACTIVITY	Page 530
Chapter 12	SPACE PHYSICS	Page 573
	ANSWERS	Page 578

3 - (0625/13_Summer_2017_Q1) - *Measurements And Units*

A candle burns evenly. It is used as a timer.

The candle is lit and burns down to point X in 2 hours.

To which labelled point does the candle burn down after a further 30 minutes?

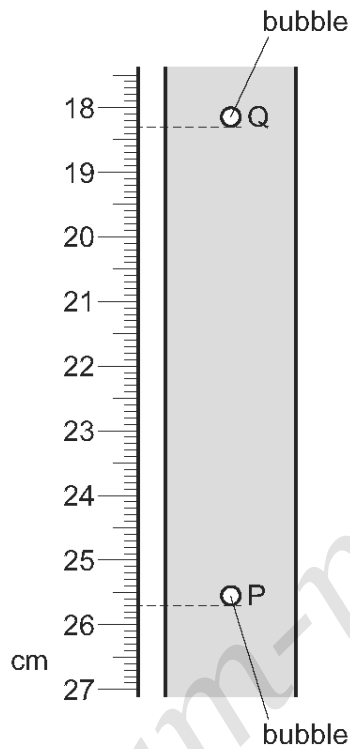


4 - (0625/12_Summer_2017_Q2) - Measurements And Units

A student determines the average speed of a bubble rising through a liquid at constant speed.

When the student starts the stopwatch the bubble is at position P.

After 2.0 s the bubble is at position Q.



What is the speed of the bubble between P and Q?

- A 3.2 cm/s B 3.7 cm/s C 6.4 cm/s D 7.4 cm/s

5 - (0625/13_Summer_2017_Q2) - Measurements And Units

A pendulum is swinging. Five students each measure the time it takes to swing through ten complete swings.

Three students measure the time as 17.2 s. Another student measures it as 16.9 s, and the fifth student measures it as 17.0 s.

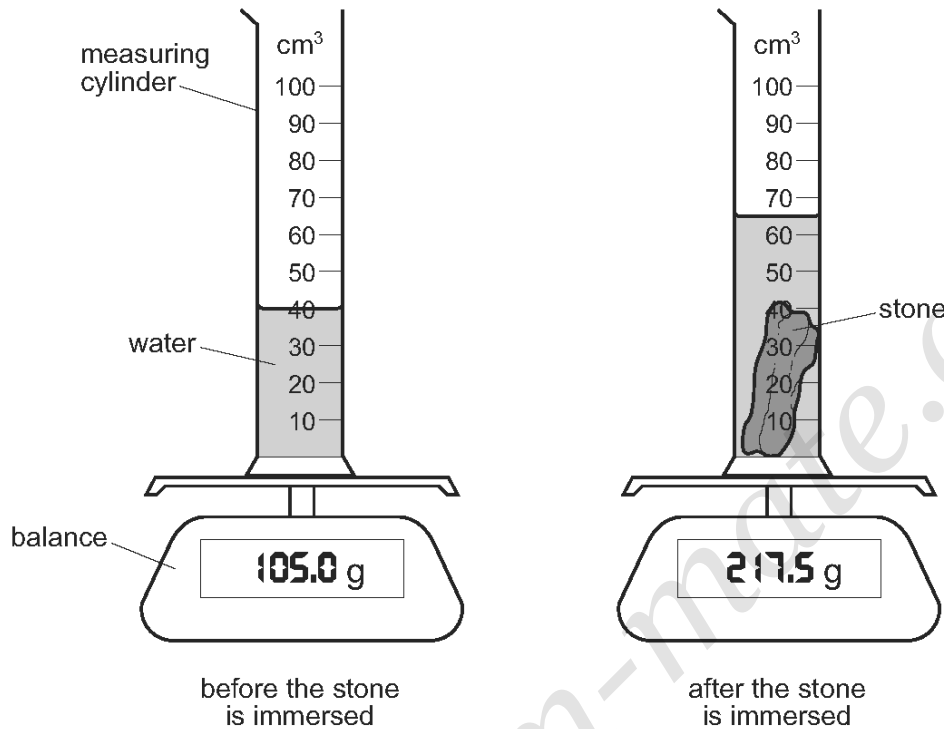
What is the average period of the pendulum?

- A 1.69 s B 1.70 s C 1.71 s D 1.72 s

6 - (0625/11_Summer_2017_Q6) - Measurements And Units

A measuring cylinder containing only water is placed on an electronic balance. A small, irregularly shaped stone is now completely immersed in the water.

The diagrams show the equipment before and after the stone is immersed.

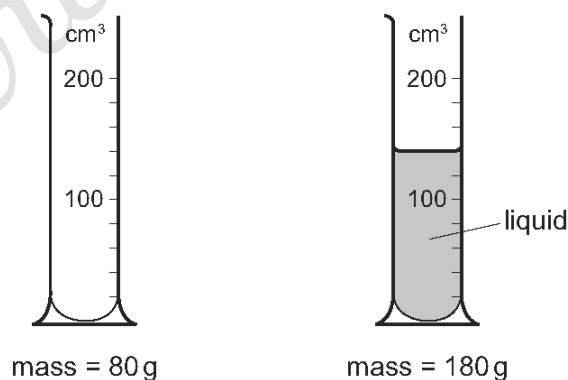


What is the density of the material of the stone?

- A 1.7 g/cm^3 B 3.3 g/cm^3 C 4.5 g/cm^3 D 8.7 g/cm^3

7 - (0625/12_Summer_2017_Q6) - Measurements And Units

The masses of a measuring cylinder before and after pouring some liquid into it are shown in the diagram.



What is the density of the liquid?

- A $\frac{100}{120} \text{ g/cm}^3$ B $\frac{100}{140} \text{ g/cm}^3$ C $\frac{180}{120} \text{ g/cm}^3$ D $\frac{180}{140} \text{ g/cm}^3$

8 - (0625/13_Summer_2017_Q6) - *Measurements And Units*

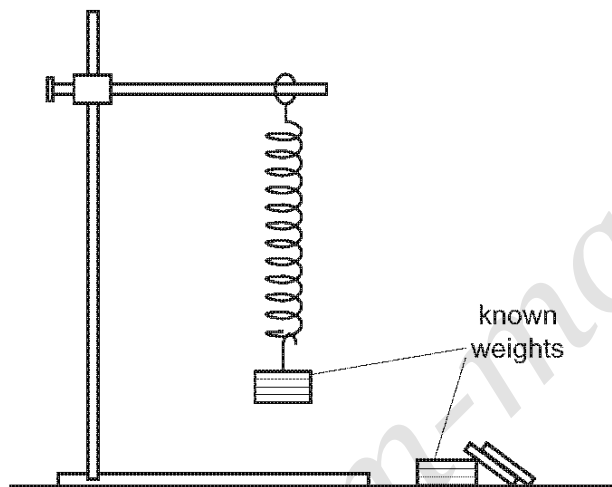
A steel ball bearing has a mass of 24 g and a density of 8.0 g/cm^3 . It is lowered into a measuring cylinder containing 12 cm^3 of water.

What is the new water level in the cylinder?

- A 3.0 cm^3 B 4.0 cm^3 C 15 cm^3 D 16 cm^3

9 - (0625/13_Summer_2017_Q8) - *Measurements And Units, Forces And Pressure*

A student is asked to investigate the extension of a spring using the apparatus shown in the diagram.



Which other piece of equipment is needed?

- A measuring cylinder
B metre rule
C stopwatch
D protractor

ANSWERS

www.examinmate.com

1 - (0625/11_Summer_2017_Q1) - *Measurements And Units*

A

2 - (0625/12_Summer_2017_Q1) - *Measurements And Units*

C

3 - (0625/13_Summer_2017_Q1) - *Measurements And Units*

C

4 - (0625/12_Summer_2017_Q2) - *Measurements And Units*

B

5 - (0625/13_Summer_2017_Q2) - *Measurements And Units*

C

6 - (0625/11_Summer_2017_Q6) - *Measurements And Units*

C

7 - (0625/12_Summer_2017_Q6) - *Measurements And Units*

B

8 - (0625/13_Summer_2017_Q6) - *Measurements And Units*

C

9 - (0625/13_Summer_2017_Q8) - *Measurements And Units, Forces And Pressure*

B

10 - (0625/11_Winter_2017_Q1) - *Measurements And Units*

A